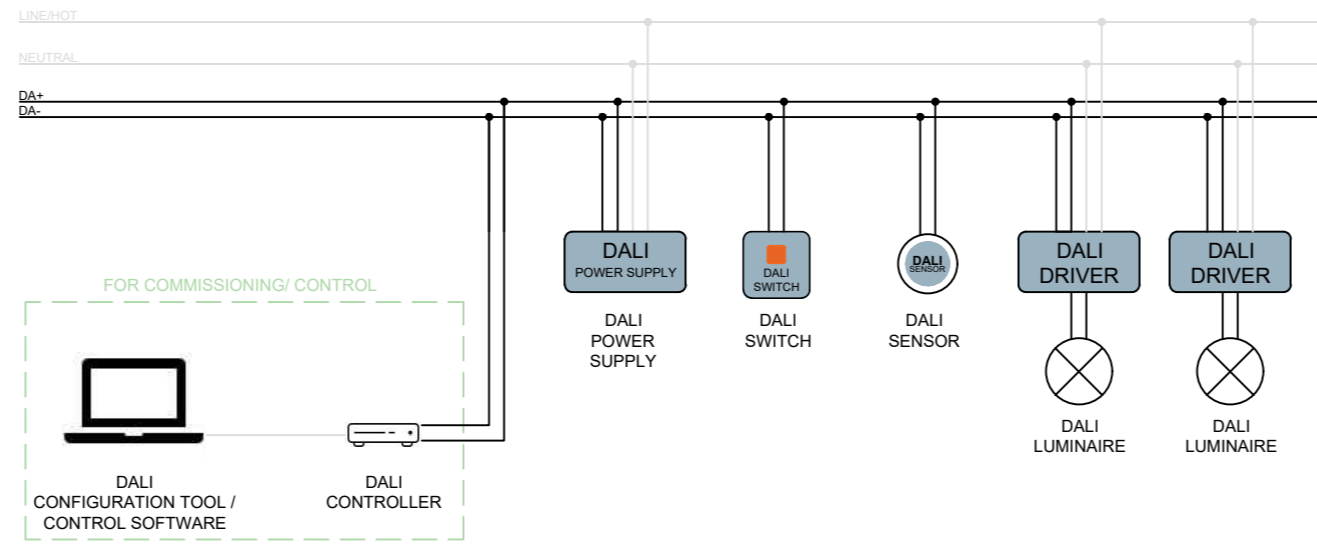
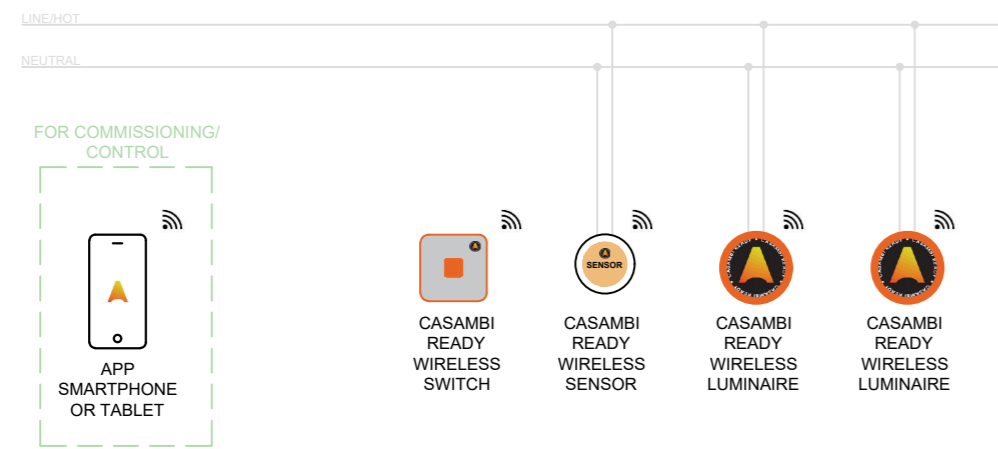


DALI CONTROL

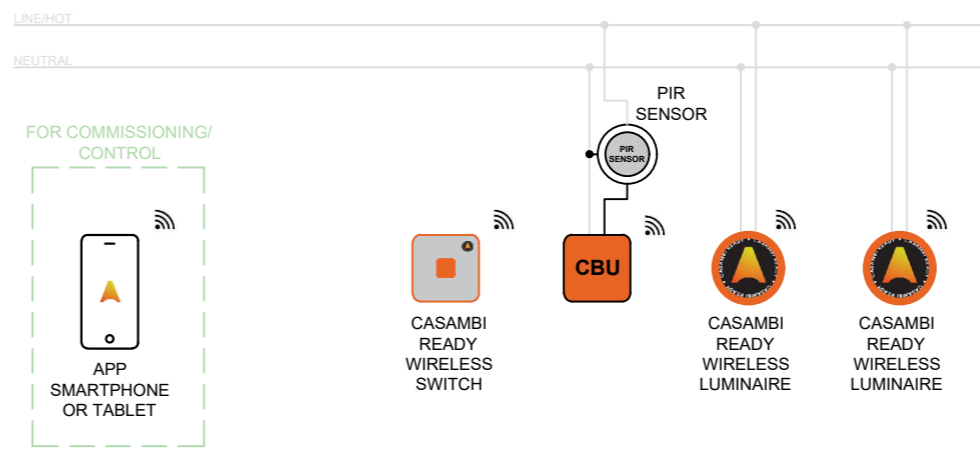


CASAMBI CONTROL : CASAMBI READY SENSOR



Casambi Ready Sensors:
 - Presence
 - Daylight
 - Combined Presence and Daylight
 - Air quality
 Check out our Ecosystem page: www.casambi.com/ecosystem

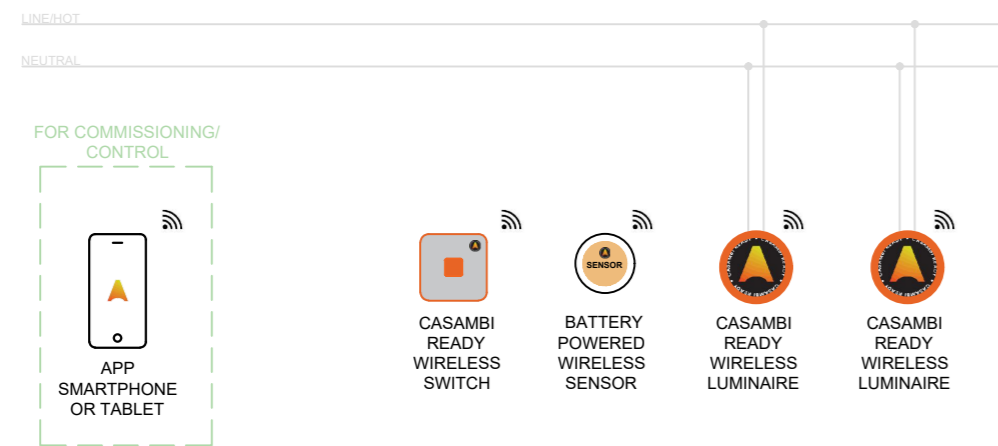
CASAMBI CONTROL : PIR SENSOR + CBU



PIR sensors can be used with the CBU-ASD or CBU-TED to act as a Casambi-enabled sensor. To enable this, the CBU profile number may need to be updated from the App.

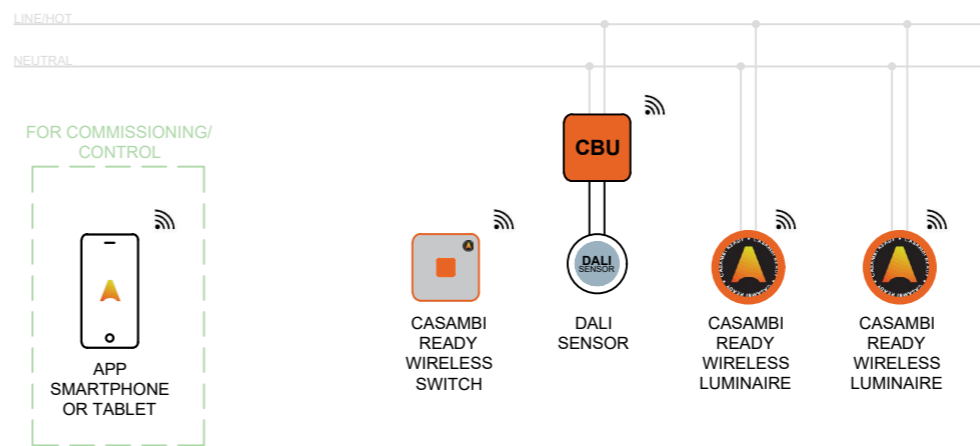
PROFILE #	PROFILE NAME / in app description	DESCRIPTION
3174	CBU-ASD Presence	CBU-ASD acts as a presence trigger. Powering on CBU-ASD causes a sensor trigger. CBU-ASD appears under "sensors" in the Casambi App.
3534	CBU-TED Presence	CBU-TED-LR acting as a presence sensor or Bluetooth enabled switch. The fixture provides presence information to the mesh network when the CBU-TED-LR is powered up.

CASAMBI CONTROL : CASAMBI READY SENSOR



Find a battery powered wireless sensor in our Ecosystem page: www.casambi.com/ecosystem

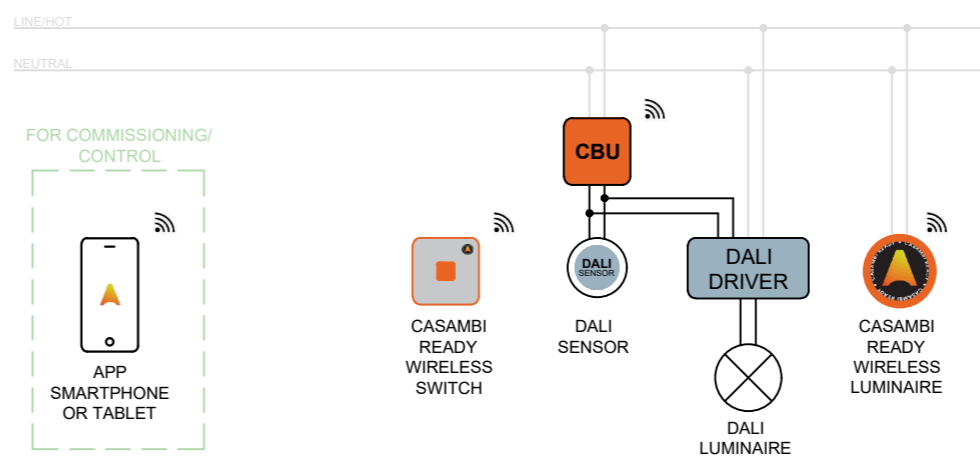
CASAMBI CONTROL : DALI SENSOR + CBU



DALI sensors can be used with the CBU-ASD or CBU-A2D to act as a Casambi-enabled sensor. The profile of the CBU device may first need to be changed to enable this.

PROFILE #	PROFILE NAME / in app description	DESCRIPTION
8642	CBU-ASD DALI Sensors (Daylight control, Presence)	A fixture for one DALI sensor providing presence and/or daylight sensing in the Pass-Through mode - delivering control commands observed on DALI bus. Sensor is using DALI levels to control the dimming output.
5002	CBU-ASD DALI Sensors (Lux, Presence)	A fixture for one DALI sensor providing presence and/or daylight sensing in the Pass-Through mode - delivering control commands observed on DALI bus. Sensor provides LUX values.
11510	CBU-A2D DALI/BC/Sensors	Basic DALI broadcast dimmer, no short addressing required.

CASAMBI CONTROL : DALI SENSOR + CBU + DALI DRIVER



DALI sensors can be used with the CBU-ASD or CBU-A2D to act as a Casambi-enabled sensor. The profile of the CBU device may first need to be changed to enable this.

PROFILE #	PROFILE NAME / in app description	DESCRIPTION
9335	CBU-ASD DALI/BC-Sensors	A dimmer for a DALI driver and a DALI sensor (lux and presence) combination. Driver is broadcast controlled. Relay is always on.
11510	CBU-A2D DALI/BC/Sensors	Basic DALI broadcast dimmer, no short addressing required.

NOTES

CASAMBI

Casambi Technologies Oy
 Bertel Jungin Aalio 1 C
 02000 Espoo
 Finland
www.casambi.com

PROJECT -

PROJECT ID -

TITLE
CASAMBI DIAGRAM SENSORS

DESIGNED BY **SST** DATE **05/10/2023**

SALES CONTACT -

SCALE - REVIEW **0**

FORMAT **A2** SHEET **1 OF 1**