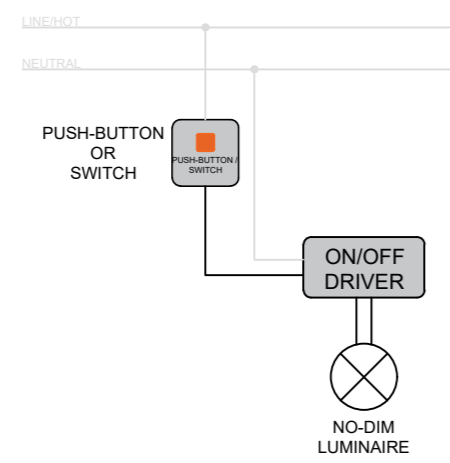
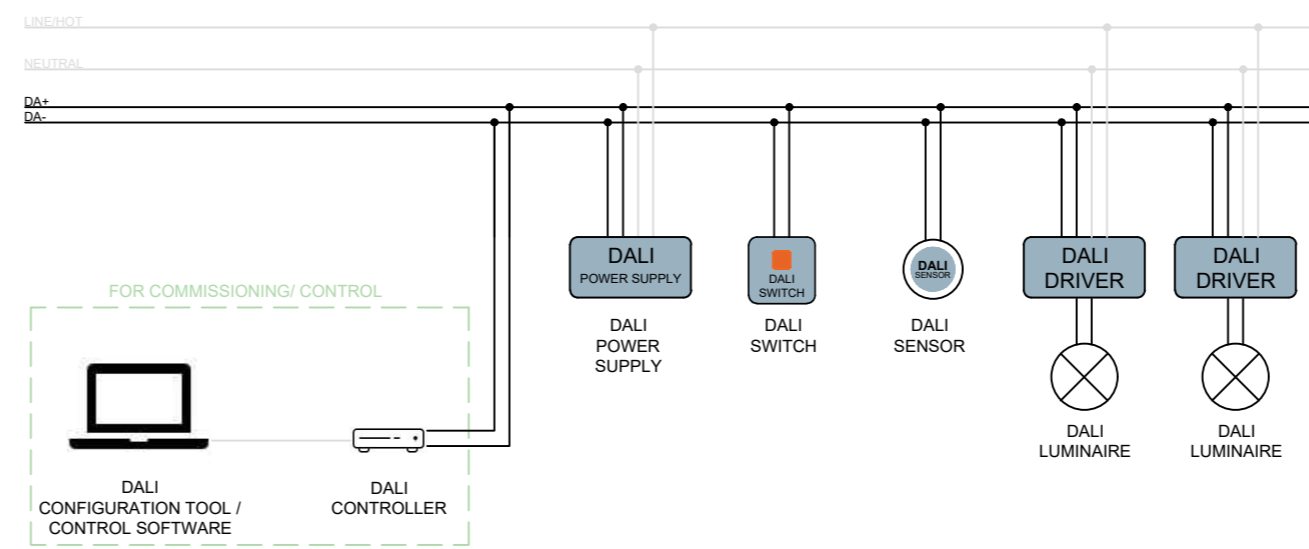


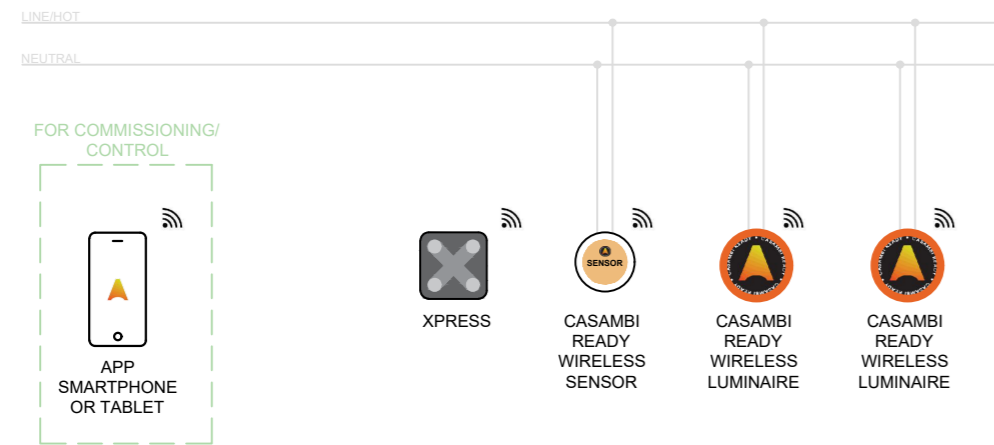
WITHOUT CONTROL



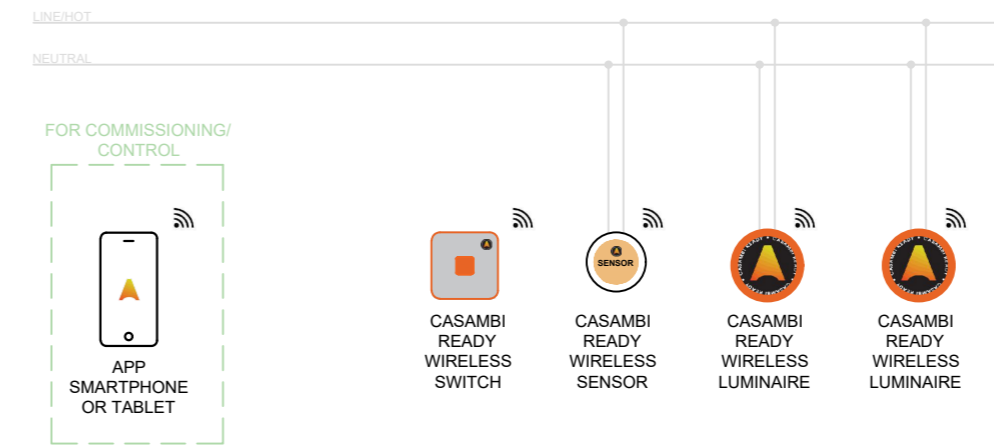
DALI CONTROL



CASAMBI CONTROL : XPRESS

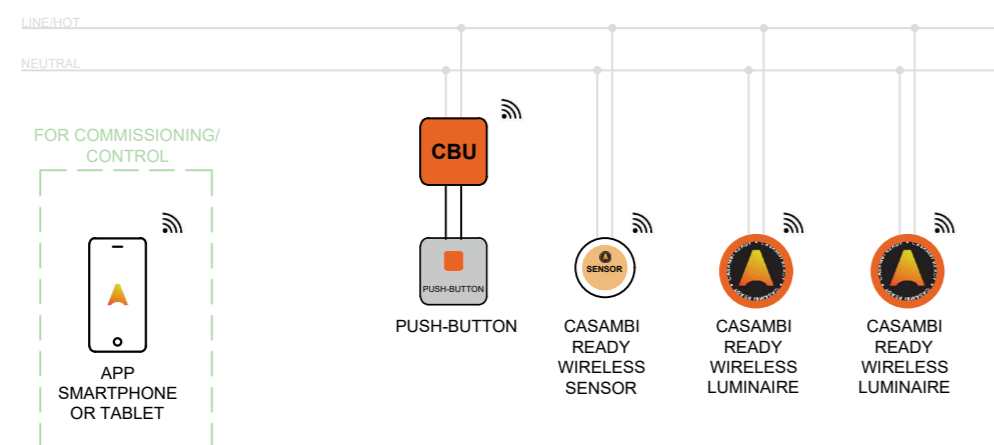


CASAMBI CONTROL : CASAMBI READY SWITCH



Wall Casambi Ready Switches:
 - Battery switch
 - Batteryless switch (energy harvesting)
 - Rotary switch
 - Touchpanel
 Check out our Ecosystem page: www.casambi.com/ecosystem

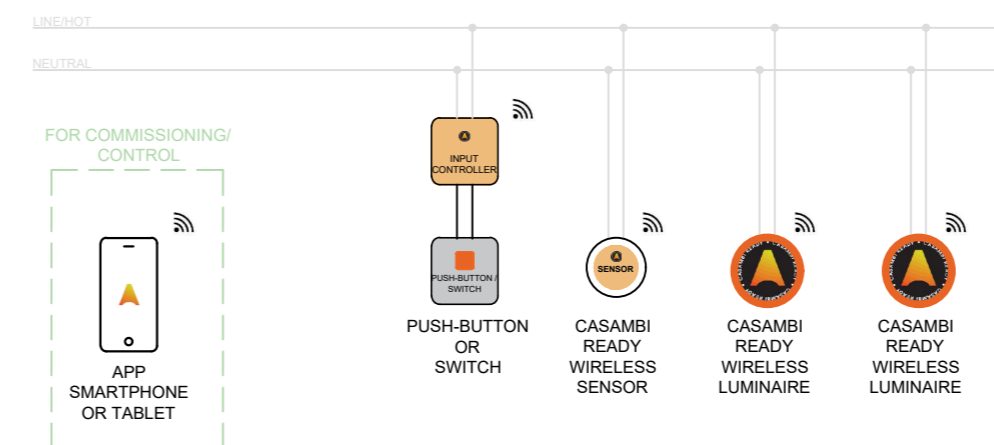
CASAMBI CONTROL : PUSH-BUTTON + CBU



Ordinary mains wall push-buttons switches can be used as dimmers or configured to control luminaires or scenes. To enable this feature (*Smart Switching*), a CBU shall be connected to the push-button switch. Only CBU-TED, CBU-ASD or CBU-A2D (devices that receive a direct mains input) can be used with the corresponding profile below:

PROFILE #	PROFILE NAME / In app description	DESCRIPTION
3534	CBU-TED Presence	CBU-TED acting as a presence sensor or Bluetooth enabled switch. The fixture provides presence information to the mesh network when the CBU-TED-LR is powered up.
6552	CBU-ASD Relay+PB	CBU-ASD unit's solid state relay output is connected with a momentary button in the Casambi App.
1031	CBU-ASD Push Button	CBU-ASD operates as a push button. Powering on the CBU-ASD acts as a button press.
11507	CBU-A2D Push Button + Relay	CBU-A2D with low voltage push button connected to Analog Digital dimming interface. Relay can be controlled with ON/OFF custom element.

CASAMBI CONTROL : STANDARD WALL SWITCH + ECOSYSTEM PRODUCT



Standard wall switches can control Casambi Ready luminaires or scenes via a push button interface (input controller).
 Check out our Ecosystem page: www.casambi.com/ecosystem

CASAMBI

Casambi Technologies Oy
 Bertel Jungin Aalio 1 C
 02000 Espoo
 Finland
www.casambi.com

PROJECT -

PROJECT ID -

TITLE
CASAMBI DIAGRAM SWITCHES

DESIGNED BY **SST** DATE **05/10/2023**

SALES CONTACT -

SCALE - REVIEW **0**

FORMAT **A2** SHEET **1 OF 1**